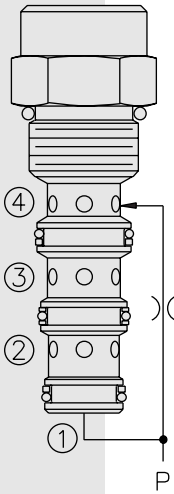


## EC10-40 Pressure Compensator



### DESCRIPTION

A screw-in, cartridge-style pressure-compensating element, intended for use with a remote fixed or variable orifice to yield a three-port (bypass-type), pressure-compensated, flow regulating hydraulic valve.

### OPERATION

The **EC10-40** maintains a constant flow rate from ③ regardless of load pressure changes in the circuit downstream of ③.

The cartridge maintains a constant differential pressure from circuit point P to port ③ (see USASI Symbol), thereby regulating the hydraulic flow rate between the two points in the circuit. The EC10-40 is a priority type regulator, delivering pump flow first to ③, then bypassing excess to ②. All ports may be fully pressurized.

### FEATURES

- Hardened parts for long life.
- Quiet, modulated response.
- Industry common cavity.

### RATINGS

**Operating Pressure:** 207 bar (3000 psi)

**Flow Rate:** 38 lpm (10 gpm) max. regulated; 57 lpm (15 gpm) max. input. EC10-40 inlet pressure begins to rise over compensating pressure when bypass oil exceeds 26 lpm (7 gpm).

**Standard Compensator Bias Spring:** 5.5 bar (80 psid)

**Flow Maintenance:** 0.38 to 1.86 lpm (0.1 to 0.49 gpm) settings  $\pm 20\%$ ; 1.89 to 5.64 lpm (0.5 to 1.49 gpm) settings  $\pm 15\%$ ; 5.68 to 37.85 lpm (1.5 to 10 gpm) settings  $\pm 10\%$

**Temperature:** -40 to 120°C

**Filtration:** See page 9.010.1

**Fluids:** Mineral-based or synthetics with lubricating properties at viscosities of 7.4 to 420 cSt (50 to 2000 ssu)

**Installation:** No restrictions; See page 9.020.1

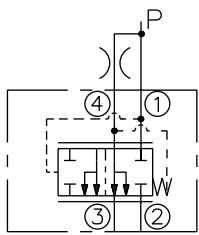
**Cavity:** VC10-4; See page 9.110.1

**Cavity Tool:** CT10-4XX; See page 8.600.1

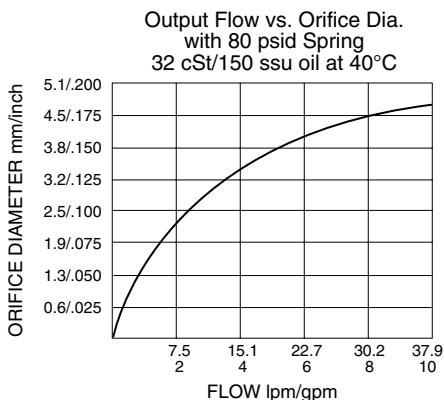
**Seal Kit:** SK10-4X-TMB; See page 8.650.1

### SYMBOLS

#### USASI/ISO:

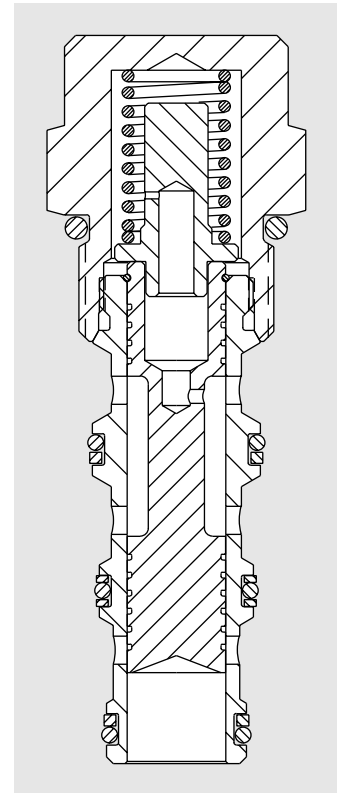
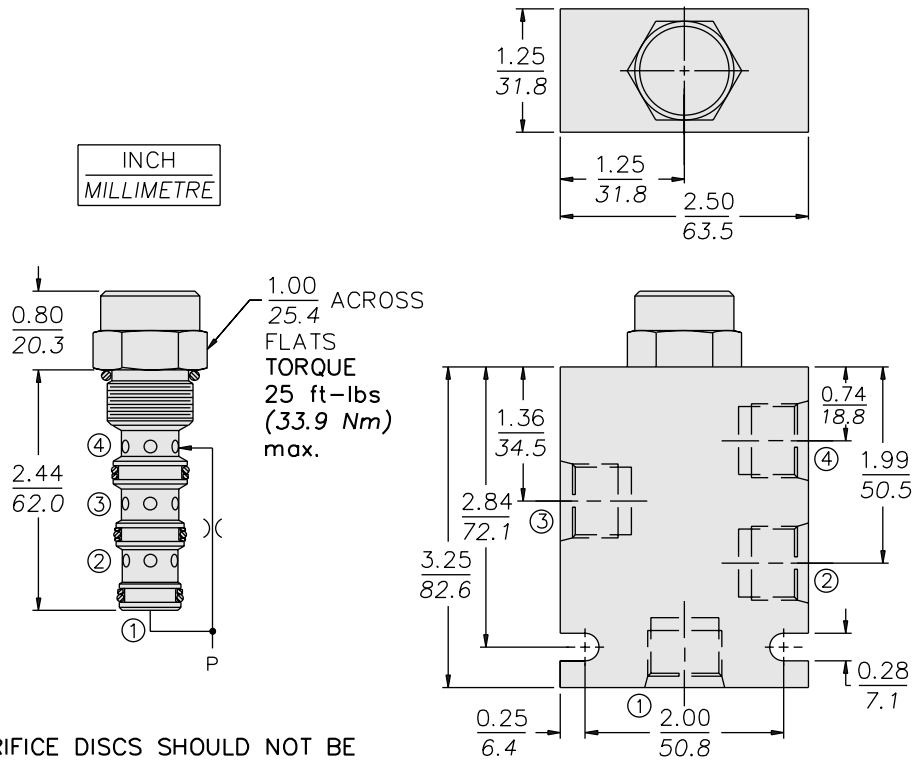


### PERFORMANCE (Cartridge Only)



# EC10-40

## DIMENSIONS



ORIFICE DISCS SHOULD NOT BE USED WITH THIS PRODUCT.

## MATERIALS

**Cartridge:** Weight: 0.16 kg. (0.35 lbs.); Steel with hardened work surfaces. Zinc-plated exposed surfaces. Buna N O-rings and polyester elastomer back-ups standard.

**Standard Ported Body:** Weight: 0.34 kg. (0.75 lbs.); Anodized high-strength 6061 T6 aluminum alloy, rated to 240 bar (3500 psi); see page 8.010.1. Ductile iron and steel bodies available; consult factory.

## TO ORDER

<b>EC10-40 -</b>		-	-	-
	<b>Porting</b>			<b>Compensator Spring</b>
Cartridge Only	<b>0</b>			<b>40</b> 2.8 bar (40 psid)
SAE 6	<b>6T</b>			<b>80</b> 5.5 bar (80 psid) standard
SAE 8	<b>8T</b>			<b>160</b> 11.0 bar (160 psid)
1/4 in. BSP*	<b>2B</b>			
3/8 in. BSP*	<b>3B</b>			
				<b>Seals</b>
				<b>N</b> Buna N (Std.)
				<b>V</b> Fluorocarbon

\*BSP Body;  
U.K. Mfr. Only